

The Climbing Steps can be mounted on 48" or 60" play decks.

Please follow the appropriate directions below:

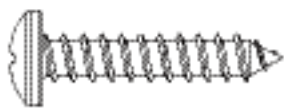
### 48" PLAY DECK

**Tools Required:** Drill, 1/8" Drill Bit, Tape Measure, Saw, Square, Rubber Mallet, Phillips Screwdriver, Safety Glasses

**Materials Required:** (1) 2" x 6" x 8'

**Hardware Included:** (20) #14 x 1 1/4" Pan Head Screws

Depending on your application, some hardware may not be used.



**Cutting Guide:**

2" x 6" x 8' – one (1) board required

21"	23 1/2"	23 1/2"	23 1/2"	
Top Step	Std. Step	Std. Step	Std. Step	

### MOUNTING INSTRUCTIONS

- Place the left (L) step side rail on a flat work surface. Insert one 2" x 6" x 21" top step into the top hole.

**Note:** This hole does not go completely through the side rail.

Insert three 2" x 6" x 23 1/2" standard steps into the remaining holes until they are flush with the outside of the side rail. (Fig. 1)

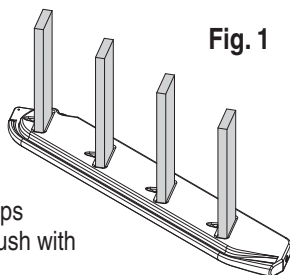


Fig. 1

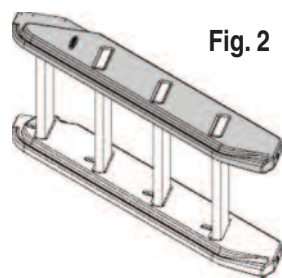


Fig. 2

- Insert the right (R) step side rail on top of the existing boards until the standard boards are flush with the outside of the side rail. (Fig. 2)

- Install the Climbing Steps Assembly to your tower: Position the Climbing Steps Assembly into the 21 1/2" opening of your play deck so that the top surface of the top step is flush with the top surface of the play deck. Push side rails of Climbing Step Assembly forward until they contact the play deck.

**Note:** The steps must be positioned as specified, otherwise a head entrapment or tripping hazard could exist. Secure the Climbing Step Assembly to the play deck using three #14 x 1 1/4" pan head screws on each side as shown. (Fig. 3)

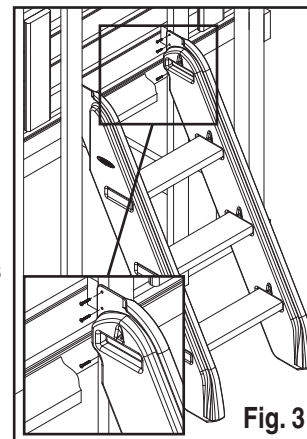


Fig. 3

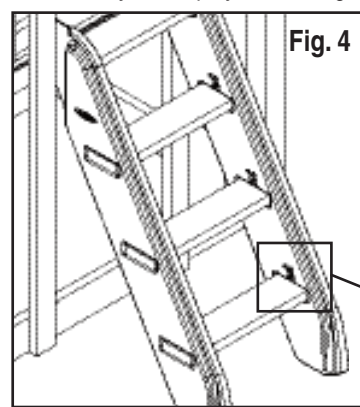
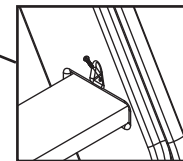


Fig. 4

- Make sure that all the standard steps are flush with the outside sides of the Climbing Steps Assembly. Secure each step to the side rails using two #14 x 1 1/4" pan head screws for each step as shown. (Fig. 4)



### 60" PLAY DECK

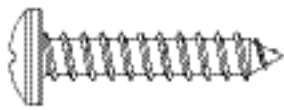
**Tools Required:** Drill, 1/8" Drill Bit, Tape Measure, Saw, Square, Rubber Mallet, Phillips Screwdriver, Safety Glasses

**Materials Required:**

(1) 2" x 6" x 8' (1) 2" x 4" x 28 1/2" (8) #8 x 2 1/2" Deck Screws

**Hardware Included:** (20) #14 x 1 1/4" Pan Head Screws

Depending on your application, some hardware may not be used.



**Cutting Guide:**

2" x 6" x 8' – one (1) board required

21"	23 1/2"	23 1/2"	23 1/2"	
Top Step	3 Standard Steps			

2" x 4" x 8' – one (1) board required

28 1/2"	
Filler Board	

### MOUNTING INSTRUCTIONS

- Place the left (L) step side rail on a flat work surface. Insert one 2" x 6" x 21" top step into the top hole.

**Note:** This hole does not go completely through the side rail.

Insert three 2" x 6" x 23 1/2" standard steps into the remaining holes until they are flush with the outside of the side rail. (Fig. 1)



Fig. 1

- Insert the right (R) step side rail on top of the existing boards until the standard boards are flush with the outside of the side rail. (Fig. 2)

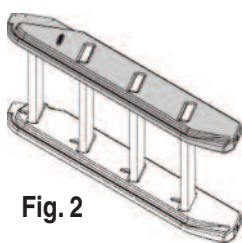


Fig. 2

- Install the Climbing Steps Assembly to your tower. Position the Climbing Steps Assembly into the 21 1/2" opening of your play deck so that the top surface of the top step is 12" from the top surface of your play deck (48" from the ground). Secure the Climbing Step Assembly to the play deck using three #14 x 1 1/4" pan head screws on each side as shown. (Fig. 3)

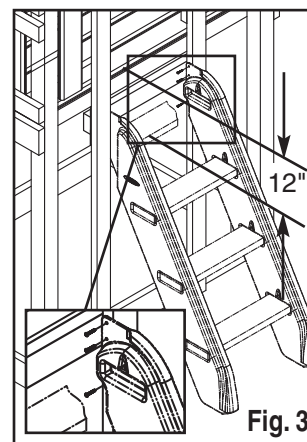
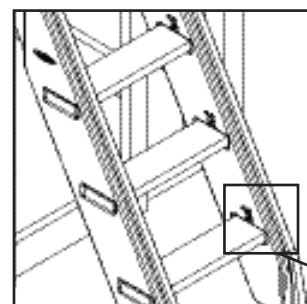
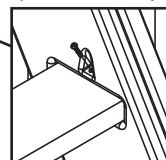


Fig. 3



- Make sure that all standard steps are flush with the outside sides of the Climbing Steps Assembly. Secure each step to the side rails using two #14 x 1 1/4" pan head screws for each step as shown. (Fig. 4)



- Install one 2" x 4" x 28 1/2" filler board an equal distance between the top of the step and the bottom of the deck supports. The gaps left should be approximately 1 3/4".

**NOTE:** The steps must be positioned as specified. The gaps must not exceed 3 1/2" otherwise a head entrapment could exist.

Secure with eight #8 x 2 1/2" deck screws. (Fig. 5)

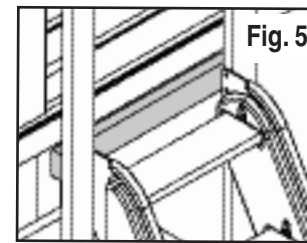


Fig. 5